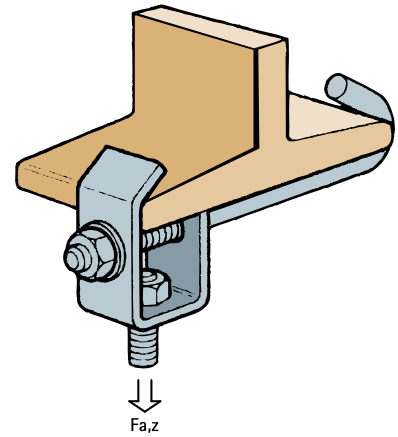


Britclips® Heavy Duty Bracket System HH103

(J 55 115)



Features and benefits

- material: mild steel
- surface treatment: Delta-Tone 9000 (480 hours)

Part No.	Code	L	F _{a,z} (N)	Pack 1
6079115	HH103/150	150 (mm) - beam width 125 mm	3,000	10
6079120	HH103/200	200 (mm) - beam width 175 mm	3,000	10

For use with static loads only.

