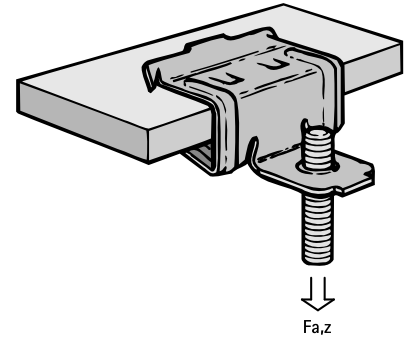


# Britclips® FCR M6

for flange 5 - 16 mm

(J 05 35)

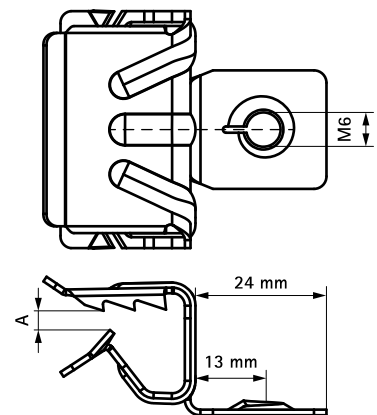


## Features and benefits

- for a solid fixing to steel construction without the need for welding or drilling
- material: spring steel (type CS70)
- with female thread M6
- surface treatment: Delta-Tone 9000 (480 hours)

Part No.	Code	A (mm)	R	F <sub>a,z</sub> (N)	Pack 1	Pack 2
50425609	FCR8 M6	4 - 8	M6	200	100	400
50425616	FCR14 M6	8 - 14	M6	200	100	400

*For use with static loads only.*



## Complementary

Walraven Stud Bolt  
Walraven Threaded Rod