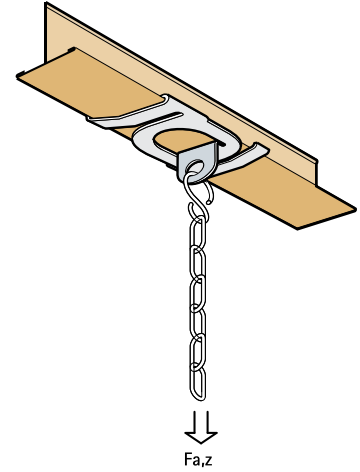


# Britclips® Decor Sign Hanger

for ceiling grid 25 mm

(J 35 125)



## Features and benefits

- twist on fixing
- for fixing to the ceiling grid
- with fixing hole (Ø 7.0 mm) to fix S-hook, etc.
- material: spring steel (type CS70)

Part No.	Code	F <sub>a,z</sub> (N)	ST	Pack 1
EM56090025	HSH2	220	epoxy-coated (white)	100
<i>For use with static loads only.</i>				

