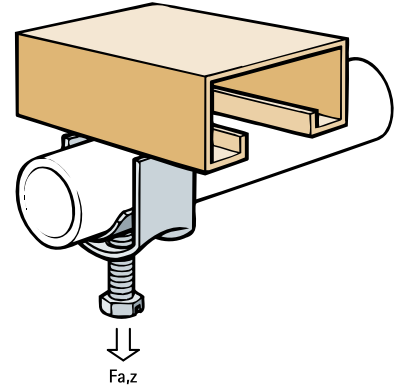


Britclips® Channel Clamp

for all pipes Ø 16 - 90 mm

(J 50 138)



Features and benefits

- engages over channel flange to support cable
- pre-galvanized
- can be tightened to secure

| Part No. | Code | D (mm) | F _{a,z} (N) | Pack 1 |
|------------|--------|-----------|-------------------------|--------|
| EM55551822 | GCCA22 | 16 - 22 | 1,000 | 50 |
| EM55551828 | GCCA28 | 22 - 28 | 1,000 | 50 |

For use with static loads only.

