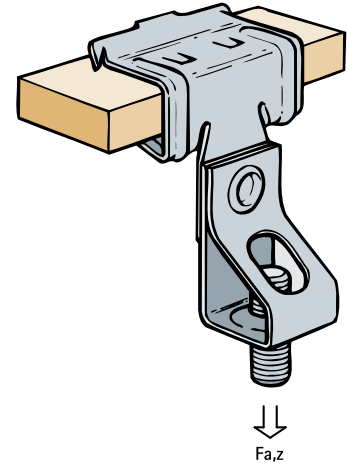


Britclips® Beam Clip / Threaded Rod Hanger

for flange 2 - 30 mm

(J 05 165)

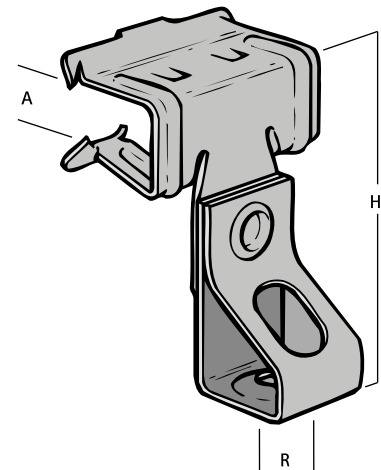


Features and benefits

- for a solid fixing to steel construction without the need for welding or drilling
- with threaded rod holder (rod height adjustable by screwing)
- material: spring steel (type CS70)
- surface treatment: Delta-Tone 9000 (480 hours)

Part No.	Code	A (mm)	R	H (mm)	F _{a,z} (N)	Pack 1
EM50420804	RH8MT-12	2 - 4	M8	44	680	100
EM50421004	RH10MT-12	2 - 4	M10	44	680	100
EM50420609	RH6MT-25	4 - 8	M6	51	680	100
EM50420809	RH8MT-25	4 - 8	M8	51	680	100
EM50421009	RH10MT-25	4 - 8	M10	51	680	100
EM50420616	RH6MT-50	8 - 14	M6	56	680	100
EM50420816	RH8MT-50	8 - 14	M8	56	680	100
EM50421016	RH10MT-50	8 - 14	M10	56	680	100
EM50420820	RH8MT-75	14 - 20	M8	63	680	100

For use with static loads only.



Complementary
Walraven Stud Bolt
Walraven Threaded Rod