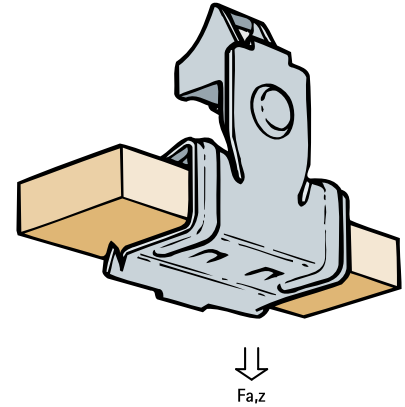


Britclips® Beam Clip / Saddle Combination

(J 05 120)

for flange 2 - 30 mm



Features and benefits

- for a solid fixing to steel construction without the need for welding or drilling
- with saddle for cable tie attachment (up to width 7.6 mm)
- material: bracket made of spring steel (type CS70); tie-wrap clip of PA (polyamide), black
- surface treatment: Delta-Tone 9000 (480 hours)

Part No.	Code	A (mm)	F _{a,z} (N)	Pack 1
EM50330009	BCCT25	4 - 8	220	100
EM50330016	BCCT50	8 - 14	220	100
EM50330020	BCCT75	14 - 20	220	50
EM50330030	BCCT100	20 - 28	220	50

For use with static loads only.

