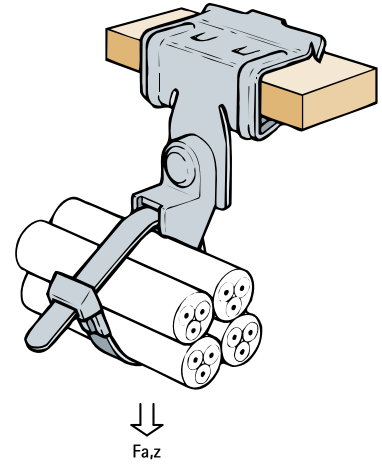


Britclips® Beam Clip / Reversed Cable Tie

(J05 115)

for flange 2 - 30 mm



Features and benefits

- for a solid fixing to steel construction without the need for welding or drilling
- with saddle for cable tie attachment (up to width 7.6 mm)
- material: bracket made of spring steel (type CS70); tie-wrap clip of PA (polyamide), black
- surface treatment: Delta-Tone 9000 (480 hours)

Part No.	Code	Model	A (mm)	F _{a,z} (N)	Pack 1
EM50320204	BCCT12-10R	With tie (L = 292 mm)	2 - 4	220	100
EM50320109	BCCT25-5.5R	With tie (L = 160 mm)	4 - 8	220	100
EM50320209	BCCT25-10R	With tie (L = 292 mm)	4 - 8	220	100
EM50320116	BCCT50-5.5R	With tie (L = 160 mm)	8 - 14	220	50
EM50320216	BCCT50-10R	With tie (L = 292 mm)	8 - 14	220	50
EM50320120	BCCT75-5.5R	With tie (L = 160 mm)	14 - 20	220	50

For use with static loads only.

