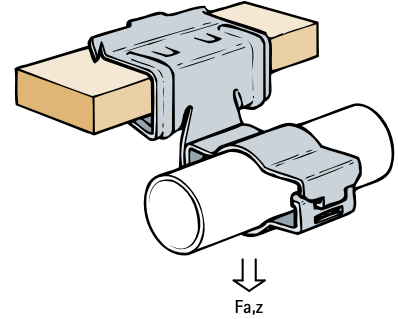


Britclips® Beam Clip / Locking Unit Combination

(J05 140)

for flange 2 - 30 mm



Features and benefits

- for a solid fixing to steel construction without the need for welding or drilling
- material: spring steel (type CS70)
- conduit clip swivels 360°
- surface treatment: Delta-Tone 9000 (480 hours)
- conduit clip with jaw locking (use pliers to lock)

Part No.	Code	D (mm)	A (mm)	h (mm)	F _{a,z} (N)	Pack 1
EM50122409	BLCC25-50	20 - 22	4 - 8	16	450	50
EM50122416	BLCC50-50	20 - 22	8 - 14	30	450	50
EM50122420	BLCC75-50	20 - 22	14 - 20	32	450	50
EM50122430	BLCC100-50	20 - 22	20 - 28	50	450	25
EM50122504	BLCC12-575	20 - 25	2 - 4	16	450	100
EM50122509	BLCC25-575	20 - 25	4 - 8	16	450	50
EM50122516	BLCC50-575	20 - 25	8 - 14	30	450	50
EM50122520	BLCC75-575	20 - 25	14 - 20	32	450	50
EM50122530	BLCC100-575	20 - 25	20 - 28	50	450	25
EM50122609	BLCC25-75	23 - 25	4 - 8	16	450	50
EM50122616	BLCC50-75	23 - 25	8 - 14	30	450	50
EM50122620	BLCC75-75	23 - 25	14 - 20	32	450	50
EM50122630	BLCC100-75	23 - 25	20 - 28	50	450	25
EM50123216	BLCC50-100	26 - 32	8 - 14	30	450	50
EM50123220	BLCC75-100	26 - 32	14 - 20	32	450	50

For use with static loads only.

