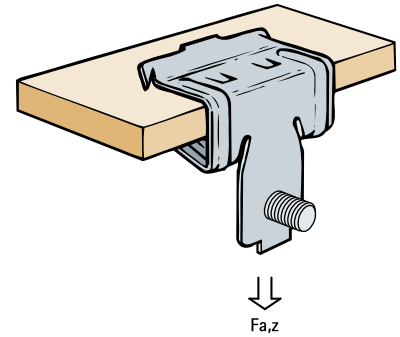
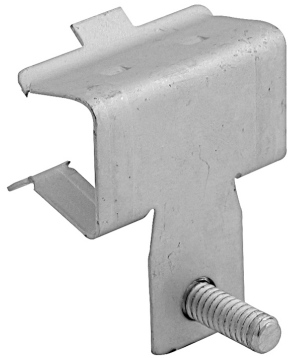


# Britclips® Beam Clip / Horizontal Stud M6 x 9

(J 05 145)

for flange 2 - 30 mm



## Features and benefits

- for a solid fixing to steel construction without the need for welding or drilling
- with stud bolt M6 x 9 mm for fixing of clamp, conduit junction box, etc.
- material: spring steel (type CS70)
- surface treatment: Delta-Tone 9000 (480 hours)

Part No.	Code	A (mm)	h (mm)	F <sub>a,z</sub> (N)	Pack 1
EM50520604	BC125-M69SH	2 - 4	20	450	100
EM50520609	BC250-M69SH	4 - 8	21	450	100
EM50520616	BC500-M69SH	8 - 14	30	450	100
EM50520620	BC750-M69SH	14 - 20	32	450	100
EM50520630	BC1000-M69SH	23 - 30	50	450	50

*For use with static loads only.*

