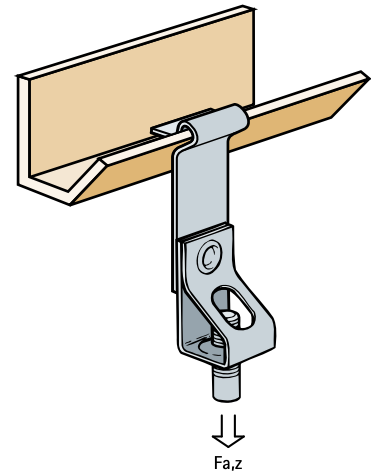


Britclips® Angled Profile Clip / Rod Hanger

for purlins 1 - 5 mm

(J 40 193)



Features and benefits

- hold fast 45°
- for fixing to purlins
- with threaded rod holder (rod height adjustable by screwing)
- material: spring steel (type CS70)
- surface treatment: Delta-Tone 9000 (480 hours)

Part No.	Code	R	F _{a,z} (N)	Pack 1
EM57430805	ZP3-8MT	M8	450	100
EM57431005	ZP3-10MT	M10	450	100

For use with static loads only.

