

Britclips® Tiger

for flange 2 - 24 mm

(J 05 05)



Features and benefits

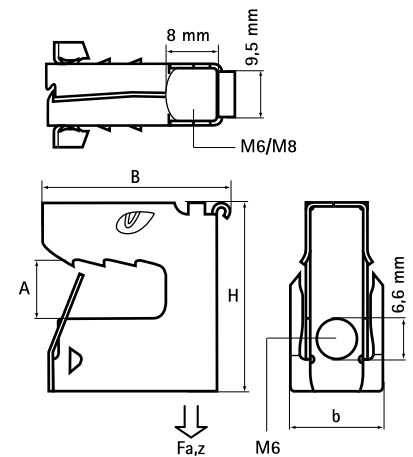
- multi-purpose clip
- for static loads, single use and non relocatable
- to hammer on or by hand; always the eye opposite to the load
- also suitable for outside use
- with hole to receive steel cable, S-Hook, cable tie, threaded rod (M6 or M8), etc.
- material: spring steel (type CS70)
- surface treatment: Magni coated, 2 layers (600 hours resistant to salt spray)
- incl. Britclips® ICP Thread plate, for wood screws from 4.0 to 4.5 mm (see J 50 07)



Report ED 05 / 022

Part No.	Code	A (mm)	B (mm)	H (mm)	d1 (mm)	d2 (mm)	F _{a,z} (N)	CSTB	Pack 1	Pack 2
51803208	Tiger 8R	2 - 8	30	30	8.0	6.6	1,200	CSTB	25	250
51803216	Tiger 16R	8 - 16	32	38	8.0	6.6	1,200	CSTB	25	250
EP51803216		8 - 16	32	38	8.0	6.6	1,200	CSTB	25	-
51805216	Tiger 16	8 - 16	32	38	8.0	6.6	1,200	CSTB	100	500

*For use with static loads only.
Max. allowed load (F_{a,z}) with M6 or M8 threaded rod vertical (safety margin 1:4).
Externally tested by CSTB.*



Complementary
BIS Stud Bolt
BIS Cable Tie
BIS S-Hook

Complementary
BIS Threaded Rod