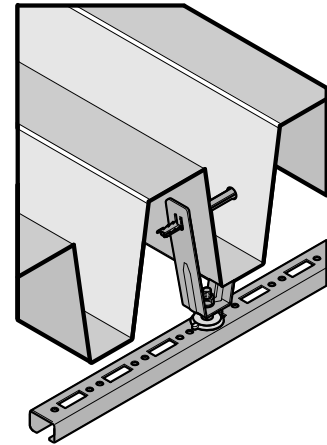


# Britclips® Rapid RTB

for ceilings

(J 30 25)

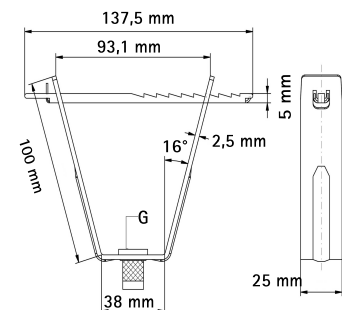


## Features and benefits

- for fixing to trapezium shaped roofing sheets
  - minimum thickness roof sheet 0.63 mm
  - quick fixing: one piece and elements cannot be lost
  - for making a hole in the roof deck we recommend the use of the BIS Hole Punching Pliers (Part No. 692 0 012)
  - pre-galvanized
- material: steel

Part No.	Code	G	Pack 1
6781106	RTB 6	M6	50
6781108	RTB 8	M8	50
6781110	RTB 10	M10	50
6781013	RTB 13	Ø 13.0 mm	50

*Maximum load ( $F_{0,2}$ ) depends on the load capacity of the trapezium shaped roofing sheet. Before mounting, the roof load capacity has to be confirmed by a structural engineer.*



## Complementary

- BIS Stud Bolt
- BIS Threaded Rod
- BIS Hole Punching Plier