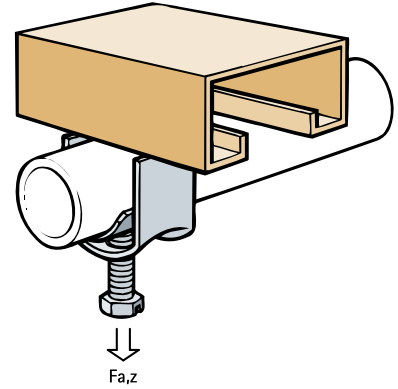


Britclips® Channel Clamp

for all pipes Ø 16 - 90 mm

(J 50 138)



Features and benefits

- engages over channel flange to support cable
- can be tightened to secure
- pre-galvanized

Part No.	Code	D (mm)	F _{a,z} (N)	Pack 1
EM55551822	GCCA22	16 - 22	1,000	50
EM55551828	GCCA28	22 - 28	1,000	50

For use with static loads only.

