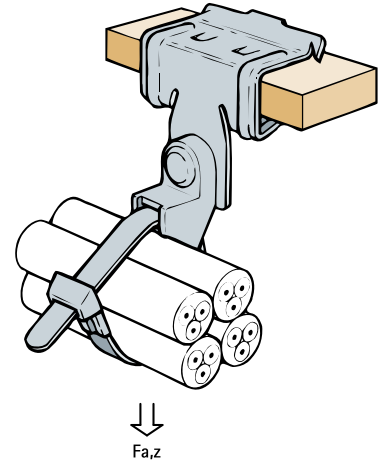


# Britclips® Beam Clip / Reversed Cable Tie

(J05 115)

for flange 2 - 30 mm



## Features and benefits

- for a solid fixing to steel construction without the need for welding or drilling
- with saddle for cable tie attachment (up to width 7.6 mm)
- material: bracket made of spring steel (type CS70); tie-wrap clip of PA (polyamide), black
- surface treatment: Delta-Tone 9000 (480 hours)

Part No.	Code	A (mm)	Model	F <sub>a,z</sub> (N)	Pack 1
EM 5032 0 204	BCCT12-10R	2 - 4	With tie (L = 292 mm)	220	100
EM 5032 0 109	BCCT25-5.5R	5 - 9	With tie (L = 160 mm)	220	100
EM 5032 0 209	BCCT25-10R	5 - 9	With tie (L = 292 mm)	220	100
EM 5032 0 116	BCCT50-5.5R	10 - 16	With tie (L = 160 mm)	220	50
EM 5032 0 216	BCCT50-10R	10 - 16	With tie (L = 292 mm)	220	50
EM 5032 0 120	BCCT75-5.5R	17 - 20	With tie (L = 160 mm)	220	50
EM 5032 0 220	BCCT75-10R	17 - 20	With tie (L = 292 mm)	220	50
EM 5032 0 230	BCCT100-10R	23 - 30	With tie (L = 292 mm)	220	25

*For use with static loads only.*

