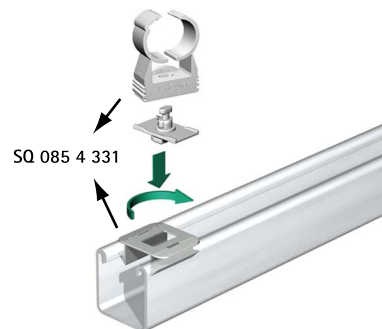
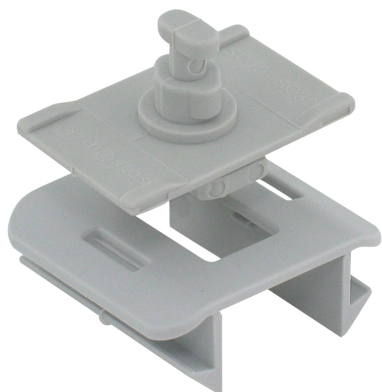


BIS starQuick® Strut Adaptor

(C 05 60)

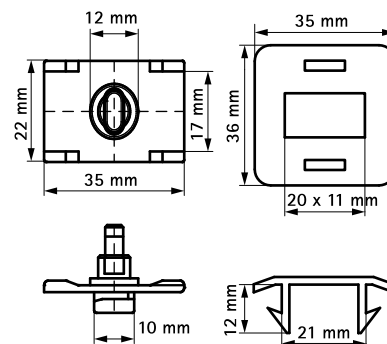
accessories BIS starQuick® Pipe Clamps without Nut



Features and benefits

- suitable for BIS starQuick® Clamps up to SQ-32
- for fixing of a BIS starQuick® Clamp on Strut Rail (e.g. BIS RapidStrut®)
- the BIS starQuick® Clamp must be fixed to the Strut Adaptor by means of a Rail Adaptor (included)
- material: POM (polyoxymethylene), grey (according to RAL 7035)

Part No.	For Rail	Pack 1	Pack 2
085 4 331	Strut	100	800



Complementary
BIS starQuick® Rail Adaptor

Alternative
BIS starQuick® Hammerfix