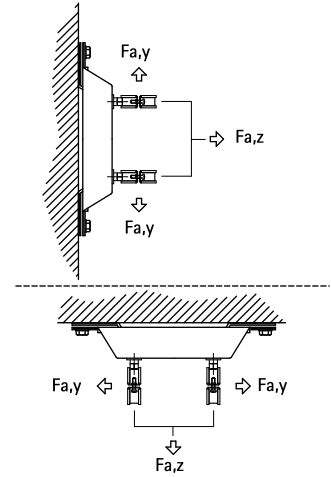
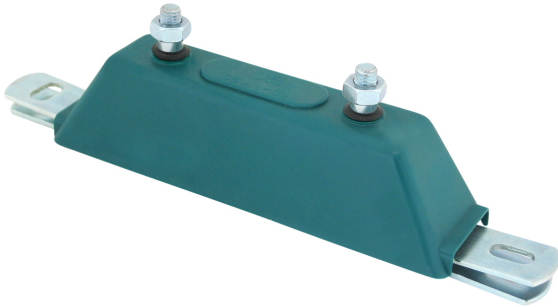


# BIS dB-FiX<sup>®</sup> 80 Fixing Point Assembly

(E 05 20)

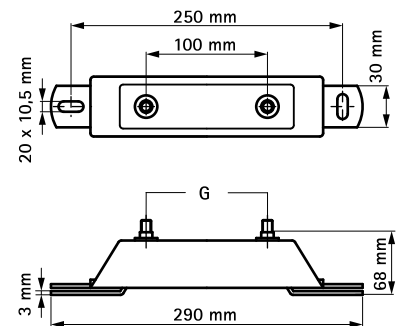
for noise insulation fixing point



## Features and benefits

- noise insulating fixing point for pipes up to Ø 2" (clamp BIS HD500 Ø 59 - 65 mm)
- zinc plated
- very stable
- noise insulation by moulded EPDM rubber
- material: steel
- sound insulating lining according to DIN 4109

Part No.	G	F <sub>a,z</sub> (N)	F <sub>a,y</sub> (N)	Pack 1
6693008	M10	3,000	2,700	10



## Complementary

Walraven RapidStrut<sup>®</sup> Fixing System  
BIS dB-FiX<sup>®</sup> 80 / 200 Mounting Kit

## Alternative

BIS dB-FiX<sup>®</sup> 200 Fixing Point Assembly