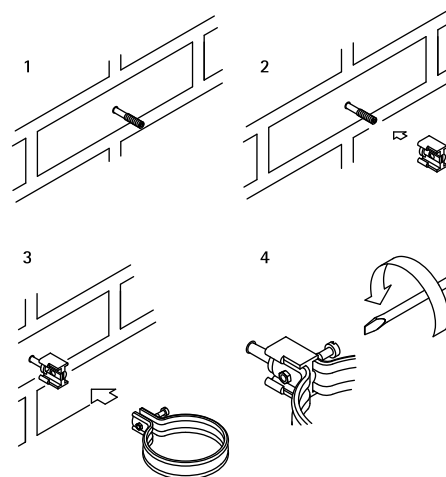


BIS Threaded Connector

accessories BIS PVC pipe clamps

(C 30 10)



Features and benefits

- with 'claws' which grip on to the band
- impact-resistant
- material: threaded connector made of PC (polycarbonate)

Part No.	G	L	Colour	Pack 1	Pack 2
1452006	M6	25.5 mm	Grey (RAL 7035)	25	250
1452008	M8	30.0 mm	Grey (RAL 7035)	25	250

