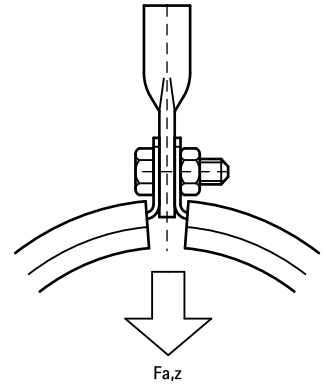


BIS Suspension Eye (Female Threaded)

(K 45 05)

to make a suspension point

680



Features and benefits

- closed design to maximize loading
- zinc plated
- material: steel

Part No.	G	L	b x s (mm)	d1 (mm)	F _{a,z} (N)	Pack 1	Pack 2
6803008	M8	45 mm	14.0 x 3.0	Ø 8.5	2,580	100	500
6803010	M10	50 mm	17.0 x 4.0	Ø 10.5	3,540	100	500
6803012	M12	55 mm	20.5 x 5.5	Ø 10.5	7,750	100	500

