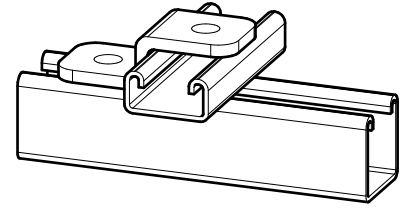


BIS Strut Stainless Steel Z-Connector

(M 60 23)

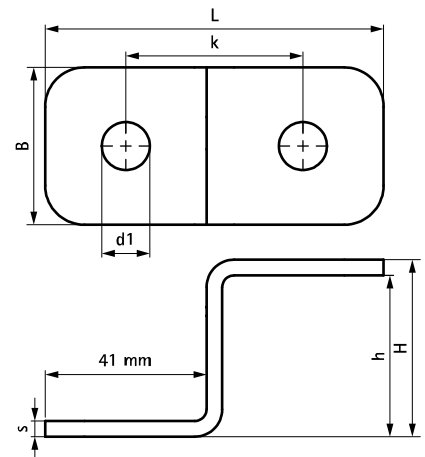
to make Strut rail fabrications



Features and benefits

- to connect Strut rails to wall or ceiling
- connector to make Z-connections between Strut rails
- can also be used to hang threaded rods from the ceiling with the possibility to adjust the height even after the pipe clamp / pipe is installed
- user friendly by rounded edges
- material: stainless steel 1.4404 (A4) - EN 10088, AISI 316L

Part No.	L	B	H	h	s	d1	k	For Rail	Pack 1
		(mm)	(mm)	(mm)	(mm)	(mm)	(mm)		
66587504	86 mm	40	45	41	4.0	Ø 12.2	-	Strut 41x41	50



Complementary

- Walraven RapidStrut® Stainless Steel Fixing Rail
- Walraven RapidStrut® Stainless Steel Slide Nut with Tabs
- BIS Strut Stainless Steel Washer (Flat)