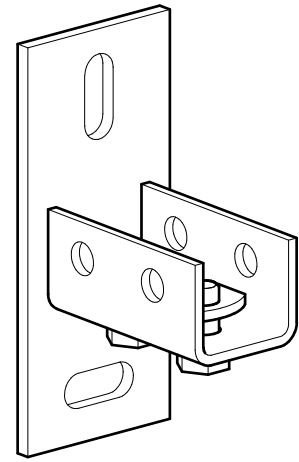
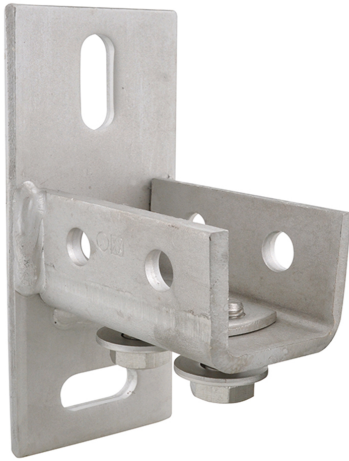


BIS Strut Stainless Steel Wall Plate Heavy

(M 52 05)

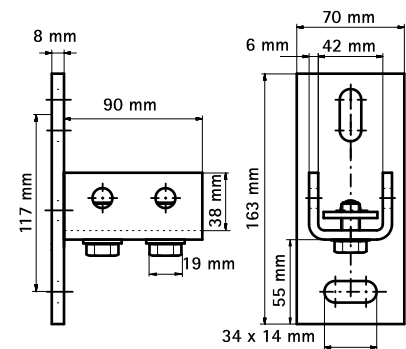
fixing to wall



Features and benefits

- U-profile welded on wall plate
- for wall fixing of rail
- rail can be fixed with slot downwards or sideways
- with pre-assembled slide nuts
- heavy design
- material: stainless steel 1.4401 (AISI 316)

| Part No. | T _(max.) (Nm) | For Rail | Pack 1 |
|----------|-----------------------------|----------|--------|
| 6571804 | - | Strut | 10 |



Complementary
BIS RapidStrut® Stainless Steel Fixing Rail