

BIS Strut Stainless Steel Tee-Bolt

(M 55 12)

fixing to Strut rail

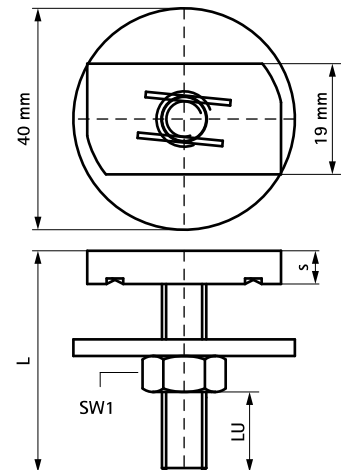


Features and benefits

- slide nut with stud bolt and washer
- material: stainless steel
- M10 and M12 tested for fire safety according to EN 1363-1



Part No.	G	L	LU (mm)	s (mm)	SW1 (mm)	For Rail	Pack 1	Pack 2
6527734	M8	40 mm	18.0	6.0	13	Strut	25	250
6527744	M10	50 mm	24.0	8.0	17	Strut	25	250



Complementary

Walraven RapidStrut® Stainless Steel Channel
Walraven RapidStrut® Stainless Steel Cantilever Arm