

BIS Strut Stainless Steel Angle Connector 90°

(M 60 08)

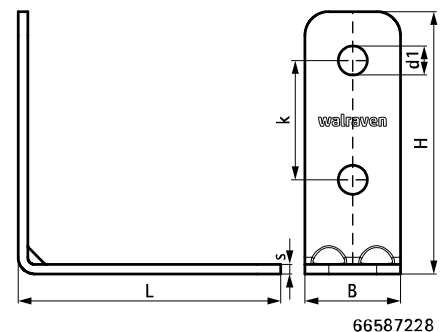
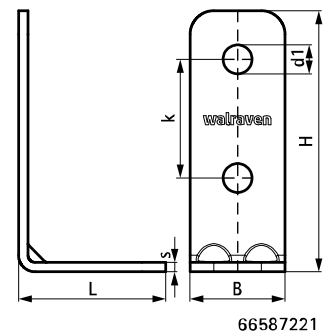
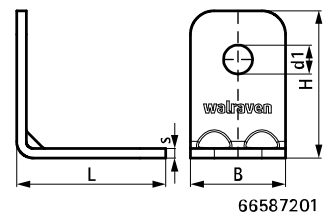
to make Strut rail fabrications



Features and benefits

- angle connector for all Strut rails to make fabrications
 - the hole pattern is adapted to the hole pattern of Strut rails to use throughbolts
 - user friendly by rounded edges
 - with reinforced bend for extra strength
- material: stainless steel 1.4404 (A4) - EN 10088, AISI 316L

Part No.	Model	L	B (mm)	H (mm)	s (mm)	d1 (mm)	k (mm)	a (°)	Pack 1
66587201	Short / short	62 mm	40	62	4.0	Ø 12	-	90	50
66587221	Short / long	62 mm	40	110	4.0	Ø 12	50	90	25
66587228	Long / long	110 mm	40	110	4.0	Ø 12	50	90	25



Complementary

- BIS RapidStrut® Stainless Steel Cantilever Arm
- BIS RapidStrut® Stainless Steel Slide Nut with Tabs
- BIS Strut Stainless Steel Washer (Flat)