

BIS Strut Slide Nut (BUP1000)

(H 24 15)

fixing to Strut rail



Features and benefits

- for all types of Strut Rail
- for tight fixing of accessories (e.g. connectors) on rail
- material: steel 1.0332
- surface protection:
 - product is part of the BIS UltraProtect® 1000 system
 - suitable for in- and outdoor applications
 - stands min. 1,000 hours salt spray test (max. 5% red rust) according to ISO 9227
- tested for fire safety



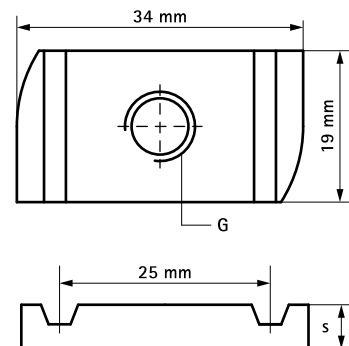
Part No.	G	s (mm)	T _(max.) (Nm)	For Rail	F _{a,z} (N)	F _{a,x} (N)	Pack 1	Pack 2
65188006	M6	5.0	7.0	Strut	2,660	950	100	-
65188008	M8	6.0	25.0	Strut	4,500	2,200	100	1,000
65188010	M10	8.0	40.0	Strut	5,000	2,550	100	500
65188012	M12	9.0	40.0	Strut	5,000	2,950	100	500

M10 tested for fire safety.

M12 tested for fire safety.

Tested values in combination with BIS RapidStrut® Rail 41x41x2.5mm.

More details can be found on the Technical Datasheet.



Complementary

BIS RapidStrut® Cantilever Arm (BUP1000)
 BIS RapidStrut® Fixing Rail DS 5
 (BUP1000)

Alternative

BIS RapidStrut® Slide Nut with Plastic Tabs
 (BUP1000)