

# BIS Strut Rubber Strip

(H 39 20)

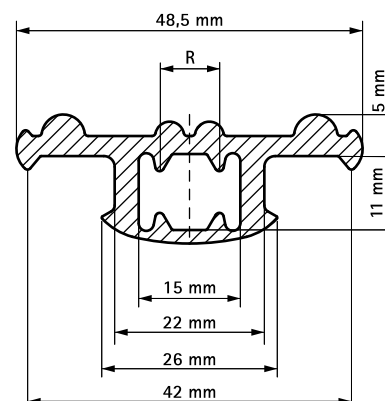
noise insulation lining for Strut rail



## Features and benefits

- noise insulating lining for rail
- also usable for threaded rod M6, M8 or M10
- chlorine free and resistant to ageing
- resistant to ozone, UV, weather and sea water
- shore A hardness 70 ±5
- building material class B2 according to DIN 4102-1 and class E according to EN 13501-1
- temperature resistance from -30 °C to +110 °C
- sound insulating lining according DIN 4109
- material: EPDM rubber, black

Part No.	R	L	For Rail	Pack 1
6568041	1/4 - 1/2"	30 m	Strut	30
6568042	1/4 - 1/2"	50 mm	Strut	50



## Complementary

Walraven RapidStrut® Fixing Rail (pg)  
 Walraven RapidStrut® Fixing Rail DS 5  
 (BUP1000)