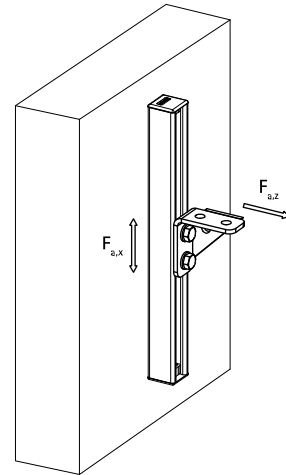


BIS Strut Connector 90° Rigid (BUP1000)

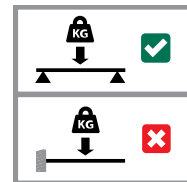
(H 28 25)

to make Strut rail fabrications



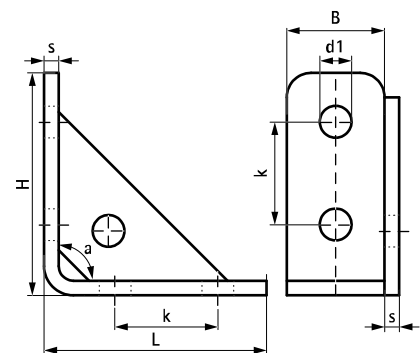
Features and benefits

- reinforced connector to make rigid fabrications with Strut rails
- easy fitting due to rounded edges
- material: steel 1.0332
- surface protection:
 - product is part of the Walraven BIS UltraProtect® 1000 system
 - suitable for in- and outdoor applications
 - stands min. 1,000 hours salt spray test (max. 5% red rust) according to ISO 9227



| Part No. | L | B | H | s | d1 | k | a | For Rail | F _{a,z} | F _{a,z 2} | F _{a,x} | F _{a,x 2} | Pack 1 |
|----------|-------|------|------|------|------|------|-----|----------|------------------|--------------------|------------------|--------------------|--------|
| | | (mm) | (mm) | (mm) | (mm) | (mm) | (°) | | (N) | (N) | (N) | (N) | |
| 66588291 | 91 mm | 40 | 91 | 6 | ∅ 13 | 42 | 90° | Strut | 4,000 | 8,000 | 3,000 | 7,000 | 25 |

F_{a,z}: max. allowed load acc. RAL GZ-655D (with rail 41x41x1.5).
F_{a,z2}: max. allowed load (with rail 41x41x2.5).
F_{a,x}: max. allowed load acc. RAL GZ-655D (with rail 41x41x1.5 and bolted 2 x M12 - 30Nm).
F_{a,x2}: max. allowed load (with rail 41x41x2.5 and bolted 2 x M12 - 60Nm).



Complementary

Walraven RapidStrut® Fixing Rail (pg)