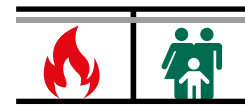
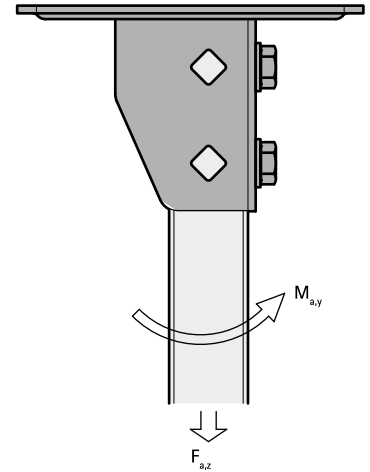


BIS Strut Base Plate G2 (zp)

(H 12 11)

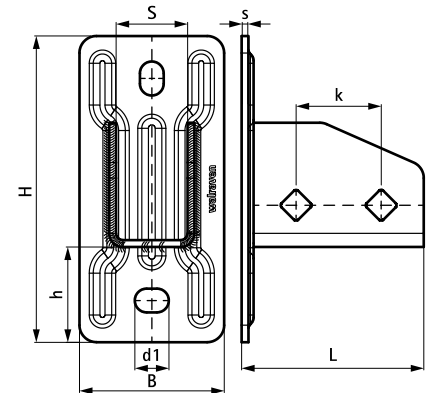


Features and benefits

- flexible base plate for Strut rails
 - suitable for all Strut rail up to 82mm height
 - open side of rails 41x41 can be turned to all sides
 - at high loads we advise to install with throughbolts
 - material: steel
- zinc plated

Part No.	L	B	H	h	s	d1	S	k	F _{a,z}	F _{a,z 2}	M _{a,y}	Pack 1
	(mm)	(mm)	(mm)	(mm)	(mm)	(mm)	(mm)	(mm)	(N)	(N)	(Nm)	
66583804	107 mm	85	180	56	4.0	20 x 14	42	50	3,636	5,151	485.0	10

F_{0,z}: max. allowed load in combination with 2 slide nuts M10, tightened with 40 Nm.
F_{0,z 2}: max. allowed load in combination with 2 throughbolts M10, tightened with 40 Nm.
M_{0,y}: max. moment in combination with 2 throughbolts M10, tightened with 40 Nm.



Complementary

- BIS RapidStrut® Fixing Rail (pg)
- BIS RapidStrut® Slide Nut with Plastic Tabs (zp)
- WTB1 Throughbolt Anchor

Complementary

- WCS1H Concrete Screw

Alternative

- BIS RapidStrut® Base Plate G2 (BUP1000)
- BIS Strut Base Plate Heavy Duty (BUP1000)