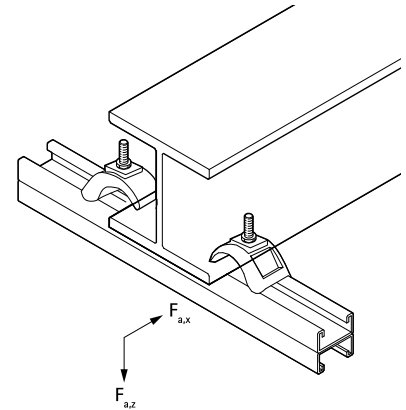
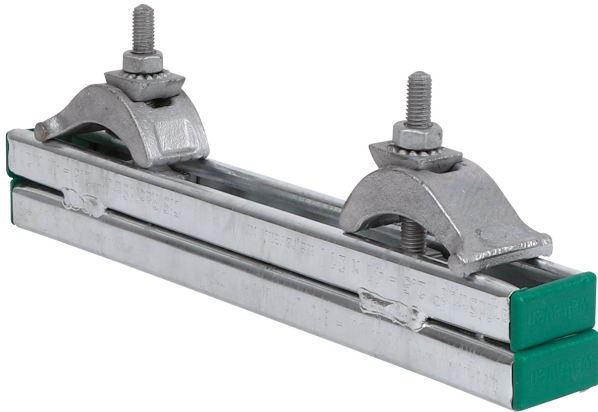


BIS Strut 41x21D 'Heavy Duty' Set

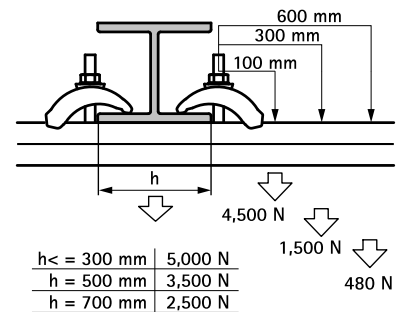
(H 36 25)

fixing to steel beam up to flange 35 mm



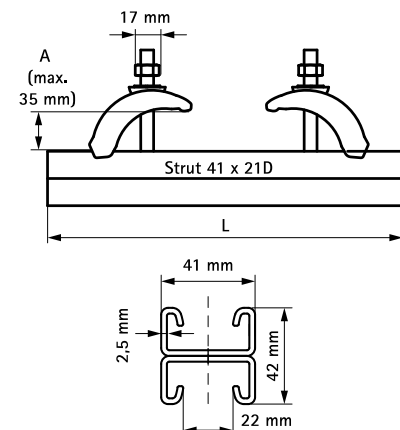
Features and benefits

- solid cast iron beam clamp for suspension of heavy loads onto beams without welding or drilling
- up to flange thickness 35 mm
- material: beam clamp made of steel; rail made of steel 1.0332
- beam clamp also available loose
- hot dip galvanized
- consists of:
 - 1 length of Strut Rail 41x21D
 - 2 Beam clamps (Part No. 607 2 002)
 - 4 Rail End Caps



| Part No. | A (mm) | L | T _(max.) (Nm) | From rail | F _{a,z} (N) | F _{a,x} (N) | Pack 1 |
|----------|--------|--------|--------------------------|--------------|----------------------|----------------------|--------|
| 6073400 | < 35 | 400 mm | 30.0 | Strut 41x21D | 5.000* | 1,500 | 4 |
| 6073600 | < 35 | 600 mm | 30.0 | Strut 41x21D | 5.000* | 1,500 | 4 |
| 6073800 | < 35 | 800 mm | 30.0 | Strut 41x21D | 5.000* | 1,500 | 1 |

* $h \leq 300 \text{ mm}$, see drawing on the right side.



Complementary

- BIS RapidStrut® Hammerfix G2 (BUP1000)
- BIS RapidStrut® Hammerfix 'U' G2 (BUP1000)