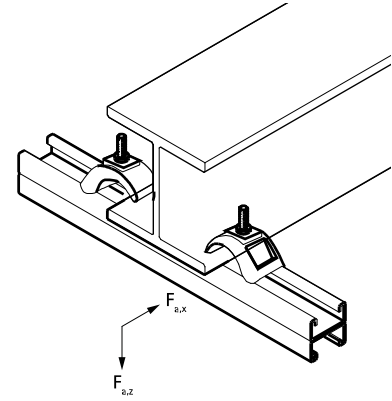


BIS Strut 'Heavy Duty' Beam Clamp

(H 36 40)

fixing to steel beam up to flange 35 mm

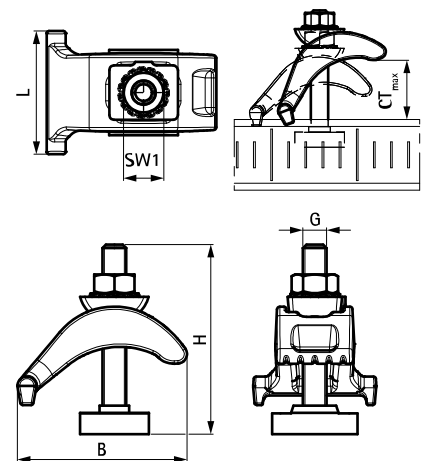


Features and benefits

- solid cast iron beam clamp for suspension of heavy loads onto beams without welding or drilling
- up to flange thickness 35 mm
- for fixing of all Strut to a steel beam
- material: steel
- hot dip galvanized

Part No.	G	L	B	H	CT _{max}	SW1	T _(inst.)	For Rail	F _{a,z}	F _{a,x}	Pack 1
			(mm)	(mm)	(mm)	(mm)	(Nm)		(N)	(N)	
6072002	M10	52 mm	72	80	35	17	30.0	Strut	8,000	1,500	25

F_{a,z}: max. allowed load acc. RAL GZ-655 / D-3.3.



Complementary

Walraven RapidStrut® Fixing Rail (pg)
 Walraven RapidStrut® Fixing Rail DS 5 (BUP1000)
 Walraven RapidStrut® Fixing Rail (BUP1000)

Complementary

Walraven RapidStrut® Fixing Rail Double (pg)
 Walraven RapidStrut® Fixing Rail Double (hdg)

Alternative

BIS Strut 41x21D 'Heavy Duty' Set