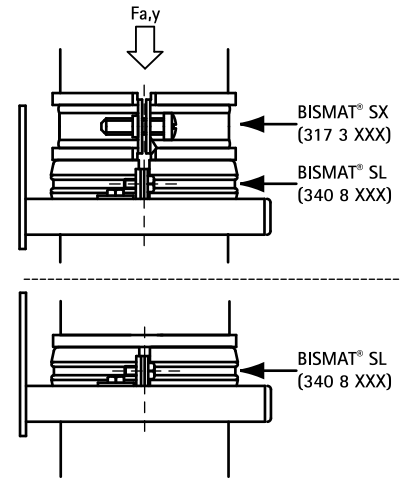
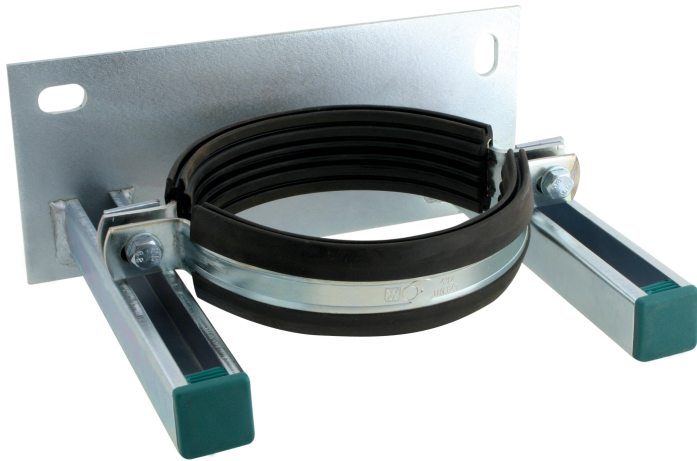


BIS Stand Pipe Bracket

for stand pipes DN 70 - DN 200

(A 30 05)

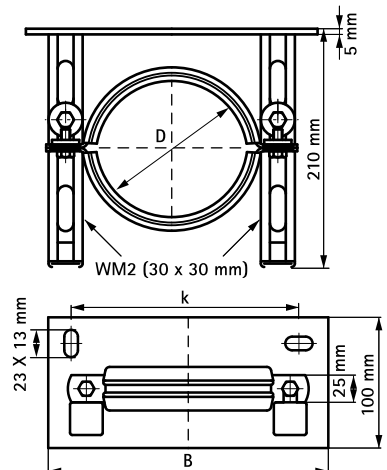


Features and benefits

- one-part console set with BISMAT® SL Guidance clamp
- fixing free of tension throughout infinite adjustment
- material: steel
- zinc plated
- noise insulating lining, EPDM rubber, black
- lining with unique noise insulating profile at the outside edges
- age resistant lining
- sound insulating lining according DIN 4109

Part No.	D (mm)	DN	B (mm)	k (mm)	F _{a,y} (N)	Pack 1
4323070	78	70	189	144	3,000	125
4323080	83	80	194	149	3,000	125
4323100	110	100	219	174	3,000	120
4323125	135	125	246	201	3,000	100
4323150	160	150	269	224	3,000	100
4323200	210	200	319	274	3,000	80

Max. allowed load (F_{a,y1}): distance between wall and centre of clamp during test 130 mm. When used in combination with the BISMAT® SX-Socket Clamp the max. allowed load is determined by the SX Clamp (page A 30 15).



Complementary

BISMAT® SX Socket Clamp
BISMAT® SL Guidance Clamp

Alternative

BISMAT® 1000 Stand Pipe Clamp