

# BIS Stainless Steel Wall Plate Resistance Welded

(M 65 05)

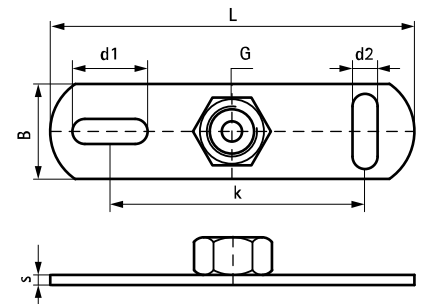
fixing to ceiling or floor



## Features and benefits

- slots at 90° to each other to simplify fixing
- Part No. 6717010: CO<sub>2</sub> welded
- Part No. 670 7 0XX: material: stainless steel 1.4301 (AISI 304)
- Part No. 67170XX: material: stainless steel 1.4404 (AISI 316L)

Part No.	G	L	B	s	d1	d2	k	F <sub>a,z</sub> (N)	Pack 1	Pack 2
			(mm)	(mm)	(mm)	(mm)	(mm)			
6707006	M6	80 mm	25	3.0	15 x 8.5	15 x 8.5	50	2,500	50	250
6707008	M8	80 mm	25	3.0	15 x 8.5	15 x 8.5	50	2,500	50	250
6707010	M10	80 mm	25	3.0	15 x 8.5	15 x 8.5	50	2,500	50	250
6717010	M10	145 mm	35	3.0	30 x 11.0	25 x 11.0	100	3,000	40	-



## Complementary

BIS Stainless Steel Threaded Rod