

BIS Stainless Steel Slide Nut

(M 29 10)

fixing to Walraven RapidRail®



6511008

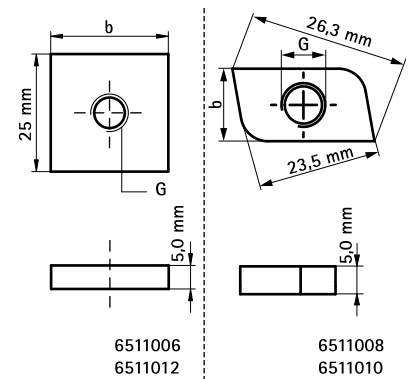


6511012

Features and benefits

- because of shape the nut fits in rail
- material: stainless steel 1.4401 (AISI 316)

Part No.	G	b (mm)	s (mm)	T _(inst.) (Nm)	For Rail	Pack 1	Pack 2
6511006	M6	25.0	5.0	7.5	30x15, 30x20, 30x30	50	250
6511008	M8	13.8	5.0	15.0	30x15, 30x20, 30x30	50	1,000
6511010	M10	13.8	5.0	15.0	30x15, 30x20, 30x30	50	1,000
6511012	M12	25.0	5.0	30.0	30x15, 30x20, 30x30	50	500



Complementary

Walraven RapidRail® Stainless Steel Fixing Rail

Alternative

Walraven RapidRail® Stainless Steel Slide Nut