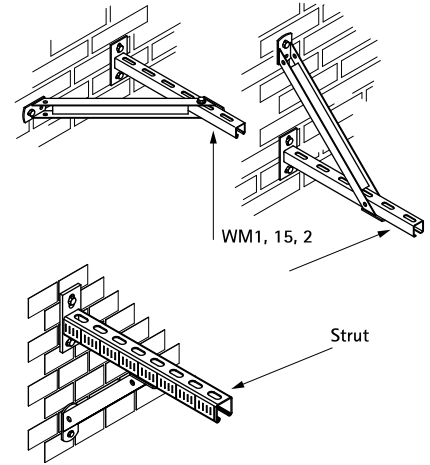


BIS Stainless Steel Rail Prop

(M 32 05)

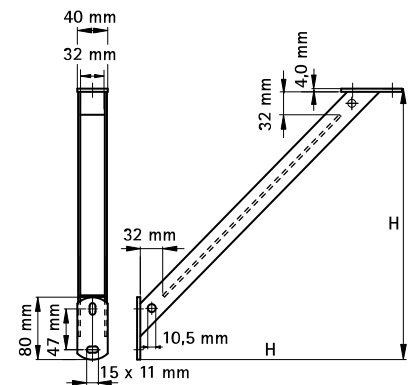
reinforcement of cantilever arm



Features and benefits

- 45° support bracket
- CO₂ welded
- for fixing support under, top or on side of a cantilever arm
- material: stainless steel 1.4401 (AISI 316)
- also used to strengthen rail constructions

Part No.	H (mm)	For Rail	Pack 1
6627220	200	30x15, 30x20, 30x30, Strut	10



Complementary

Walraven RapidRail® Stainless Steel Fixing Rail