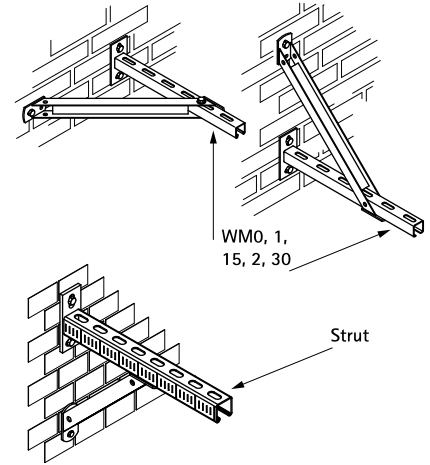


BIS Stainless Steel Rail Prop

reinforcement of cantilever arm

(M 28 05)



Features and benefits

- 45° support bracket
- for fixing support under, top or on side of a cantilever arm
- also used to strengthen rail constructions
- CO₂ welded
- material: stainless steel 1.4401 (AISI 316)

Part No.	H (mm)	For Rail	Pack 1
6627220	250	WM1, 15, 2, Strut	10

