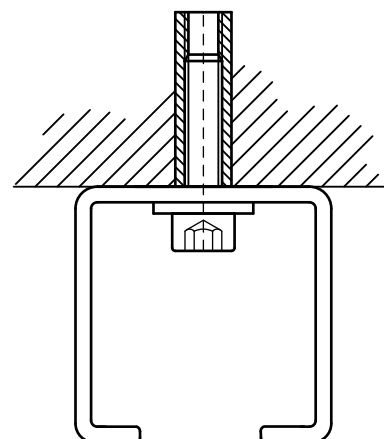


BIS Socket Head Bolt (BUP1000)

(K 45 54)

fixing of rail

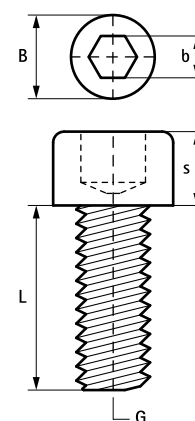


Features and benefits

- for fixing of fixing rail
- material: steel, strength class 8.8
- surface protection:
 - product is part of the BIS UltraProtect® 1000 system
 - suitable for in- and outdoor applications
 - stands min. 1,000 hours salt spray test (max. 5% red rust) according to ISO 9227
- according to ISO 4762

Part No.	G	L	B (mm)	b (mm)	s (mm)	Pack 1
61380825	M8	25 mm	13	6	8.0	200
61380860	M8	60 mm	13	6	8.0	200
61380880	M8	80 mm	13	6	8.0	100
61381025	M10	25 mm	16	10	8.0	200
61381030	M10	30 mm	16	10	8.0	200
61381230	M12	30 mm	18	12	10.0	100
61381260	M12	60 mm	18	12	10.0	100

Required bolt or screw depends on rail hole pattern.



Complementary

WDI1 Drop-in Anchor
WDI1L Drop-in Anchor Lipped
WDI1 Drop-in Anchor SSr

Complementary

WDI1 Setting Tool
WBA Brass Anchor