

BIS Slide Nut 651

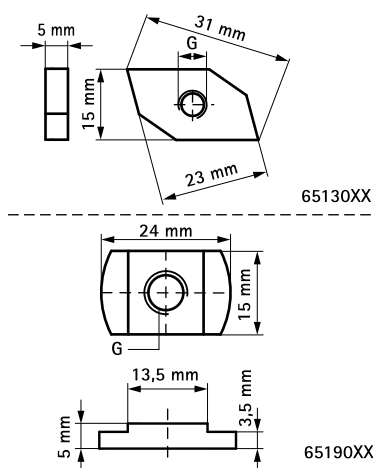
(G 30 10)

fixing to BIS RapidRail®



Features and benefits

- suitable for rail 27x18, 30x15, 30x20, 30x30, 30x45, 38x40
- material: steel
- zinc plated
- Part No. 65130XX: because of shape the nut fits in rail



Part No.	Type	G	T _(inst.) (Nm)	For Rail	F _{a,z} (N)	Pack 1	Pack 2
6513006	651A	M6	7.5	27x18, 30x15, 30x20, 30x30, 30x45	-	100	2,000
6513008	651A	M8	10.0	27x18, 30x15, 30x20, 30x30, 30x45	-	100	2,000
6513010	651A	M10	10.0	27x18, 30x15, 30x20, 30x30, 30x45	-	100	2,000

Complementary

Walraven RapidRail® Cantilever Arm
Walraven RapidRail® Fixing Rail

Alternative

BIS RapidRail® Slide Nut