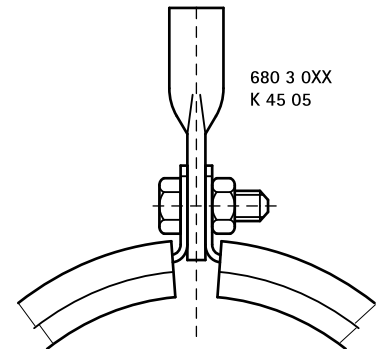


BIS Single Band Pipe Clamp

for metal pipes 12 - 114 mm

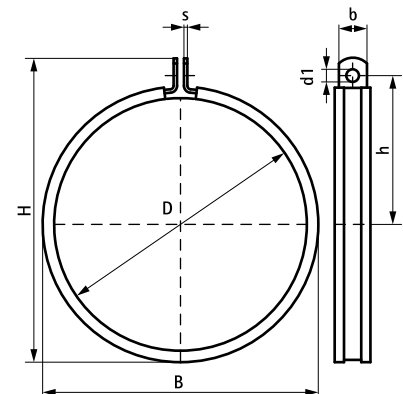
(A 10 25)



Features and benefits

- one-part clamp
- fixing by using suspension eye (not included)
- clamp is locked by the mounting system (no other projections)
- space saving
- tube insulation can easily be fitted
- pre-galvanized
- material: steel 1.0226
- noise insulating lining, EPDM rubber, black
- age resistant lining
- sound insulating lining according DIN 4109

Part No.	D (mm)	D (")	DN	B (mm)	H (mm)	h (mm)	b x s (mm)	d1 (mm)	F _{a,z} (N)	Pack 1
3385012	12	-	-	24	41	19	15 x 1.0	Ø 7	600	50
3385016	16	-	-	28	45	21	15 x 1.0	Ø 7	600	50
3385018	18	3/8	10	30	47	22	15 x 1.0	Ø 7	600	50
3385022	22	1/2	15	34	51	24	15 x 1.0	Ø 7	600	50
3385028	28	3/4	20	41	58	28	15 x 1.0	Ø 7	600	50
3385036	36	-	-	48	65	31	15 x 1.0	Ø 7	600	50
3385042	42	1 1/4	32	54	71	34	15 x 1.0	Ø 7	600	50
3385048	48	1 1/2	40	62	78	37	20 x 1.0	Ø 7	600	50
3385057	57	-	-	73	94	46	20 x 1.0	Ø 9	600	25
3385060	60	2	50	76	96	47	20 x 1.0	Ø 9	600	25
3385070	70	-	-	87	107	51	25 x 1.5	Ø 9	750	25
3385076	76	2 1/2	65	93	113	58	25 x 1.5	Ø 9	750	25
3385089	89	3	80	106	126	62	25 x 1.5	Ø 9	750	25
3385108	108	-	-	124	152	75	25 x 2.0	Ø 11	1,000	25
3385114	114	4	100	130	158	78	25 x 2.0	Ø 11	1,000	25



Complementary

- BIS RapidStrut® Fixing System
- BIS Fastenings
- BIS Suspension Eye (Female Threaded)