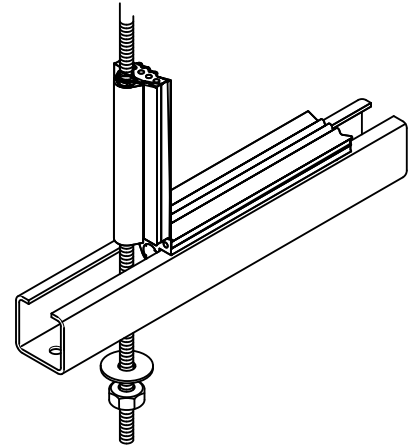


BIS Rubber Strip

noise insulation lining for rail

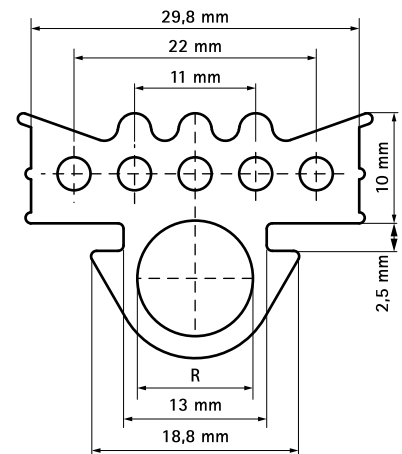
(G 45 10)



Features and benefits

- noise insulating lining for rail
 - also usable for threaded rod M6, M8 or M10
 - suitable for rail WM0, 1, 15, 2, 30, 35
 - building material class B2 according to DIN 4102-1 and class E according to EN 13501-1
 - sound insulating lining according DIN 4109
- material: EPDM rubber, black

Part No.	R	L	For Rail	Pack 1	App.
6568001	M6 - M10	30 m	WM0 - 35	30	m.



Complementary

RapidRail® Fixing Rail
 BIS RapidRail® Cantilever Arm (BUP1000)