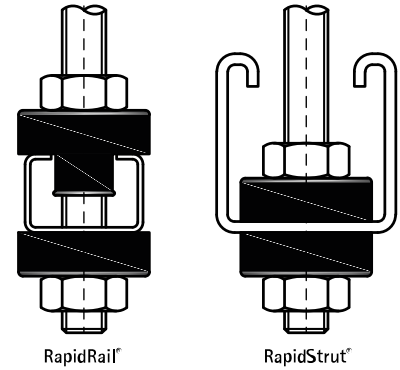


BIS Rubber Absorption Piece

(F05 25)

noise insulation for rail

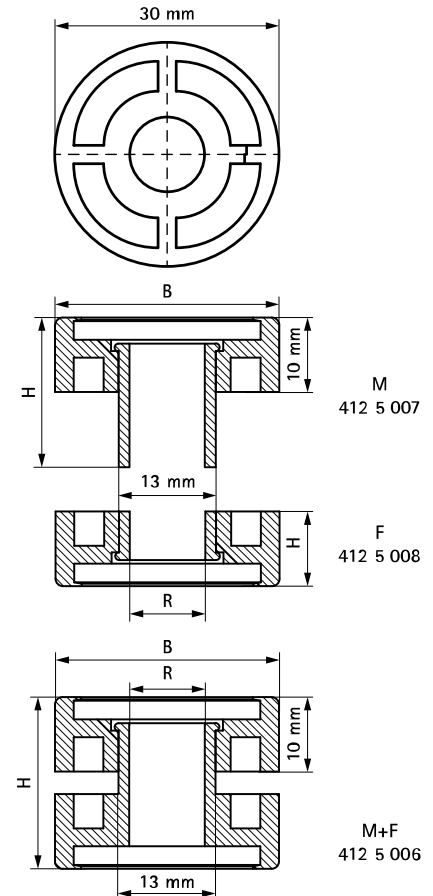


Features and benefits

- noise insulating element
- e.g. for noise insulating suspension of fixing rail in combination with threaded rod M10
- rubber absorption pieces are suitable to use with RapidStrut® Rails and RapidRail® Profiles
- noise insulation up to 16dB(A) on average, when combined with RapidRail® 27x18, compared to directly installed clamps
- material: metal parts made of steel; silent block made of TPE rubber, black
- zinc plated

Part No.	Type	R	B (mm)	H (mm)	F _{a,z} (N)	Pack 1
4125007	M	10.1	30	19.5	-	100
4125008	F	10.1	30	10.0	-	100
4125006	M + F	10.1	30	23.0	600	50

The maximum allowed load can be higher under strict conditions and is depending on the frequency, for conditions and details please consult our technical department.



Complementary

- Walraven RapidStrut® Channel (pg)
- Walraven Threaded Rod
- Walraven RapidRail® Fixing Rail