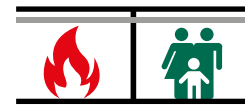
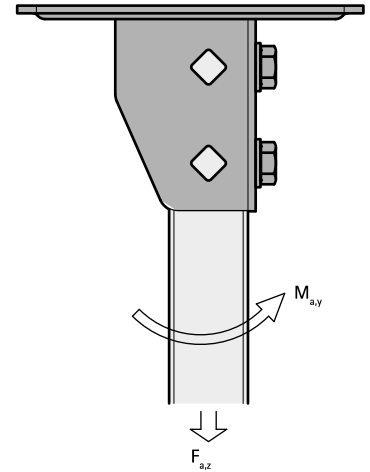


BIS RapidStrut® Base Plate G2 (BUP1000)

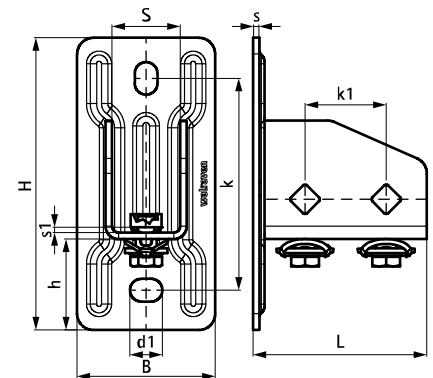
(H 12 03)



Features and benefits

- flexible base plate for Strut rails
- suitable for all Strut rail up to 82mm height
- open side of rails 41x41 can be turned to all sides
- at high loads we advise to install with throughbolts
- timesaving with pre-assembled fasteners
- tested for fire safety
- material: metal parts made of steel 1.0332; spring(s) made of POM (polyoxymethylene), green
- surface protection:
 - product is part of the BIS UltraProtect® 1000 system
 - suitable for in- and outdoor applications
 - stands min. 1,000 hours salt spray test (max. 5% red rust) according to ISO 9227

Part No.	L	B	H	h	s	d1	S	k	k1	F _{a,z}	F _{a,z 2}	M _{a,y}	Pack 1
		(mm)	(mm)	(mm)	(mm)	(mm)	(mm)	(mm)	(mm)	(N)	(N)	(Nm)	
665885400	107 mm	85	180	56	4.0	20 x 14	42	130	50	3,636	5,151	485.0	10
<i>F_{a,z}</i> : max. allowed load in combination with 2 slide nuts M10, tightened with 40 Nm. <i>F_{a,z 2}</i> : max. allowed load in combination with 2 throughbolts M10, tightened with 40 Nm. <i>M_{a,y}</i> : max. moment in combination with 2 throughbolts M10, tightened with 40 Nm.													



Complementary

- BIS RapidStrut® Fixing Rail DS 5 (BUP1000)
- BIS RapidStrut® Fixing Rail (BUP1000)
- BIS RapidStrut® Slide Nut with Plastic Tabs (BUP1000)

Complementary

- BIS Washer (Flat) (BUP1000)
- BIS Hexagon Head Bolt (BUP1000)
- WCS1H Concrete Screw

Alternative

- BIS Strut Base Plate Heavy Duty (BUP1000)