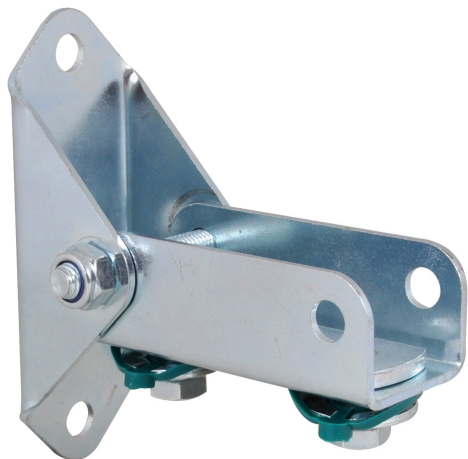


BIS RapidRail® Wall Plate (Hinged)

(G 15 10)

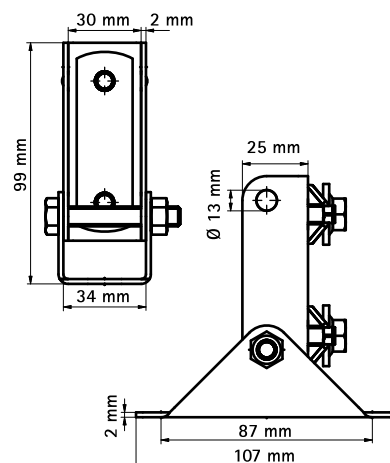
fixing to wall



Features and benefits

- wall plate with hinging U-profile
- also used to strengthen rail constructions
- for fixing of rail to sloping walls
- Part No. 6613250: suitable for 30x15, 30x20, 30x30, 30x45
- material: steel
- zinc plated

Part No.	T _(inst.) (Nm)	For Rail	Pack 1
6613250	15.0	30x15, 30x20, 30x30, 30x45	20



Complementary

Walraven RapidRail® Fixing Rail