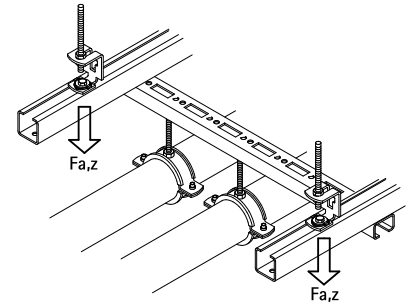


# BIS RapidRail® Rail Suspension Bracket

(G 20 40)

fixing of rail to stud bolt



## Features and benefits

- connector with pre-assembled BIS RapidRail® Slide nut(s)
- suitable for rail WM0, 1, 15, 2, 30, 35
- ready-to-use pre-assembled for a quick fixing, and retains assembly in place before final tightening
- with pre-assembled BIS RapidRail® Sliding nut(s) for a quick fixing, and retains assembly in place before final tightening
- stud bolt with upturned nut hooked in easily because of cross-shaped hole
- material: metal parts made of steel 1.0332; spring(s) made of POM (polyoxymethylene), green
- zinc plated



RAL-GZ 655/D  
Cert.Nr. 2012-09

Part No.	T <sub>(max.)</sub> (Nm)	For Rail	F <sub>a,z</sub> (N)	F <sub>a,x</sub> (N)	RAL	Pack 1
6793008	15.0	WM0 - 35	1,600	79	RAL <sup>1</sup>	50

*RAL<sup>1</sup> = tested, certified and monitored by a third party according to RAL-GZ 655/D in combination with Rail WM1, 2, 15 and 30.  
For detailed technical information about our RAL marked products, please see the RAL datasheet in our web catalogue.*

