

# BIS Rail Connector with Slide Nuts

(G 35 15)

to make BIS RapidRail® fabrications



658 3 109



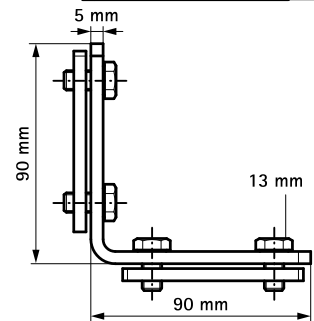
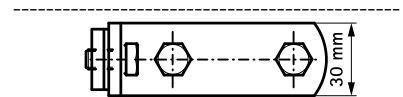
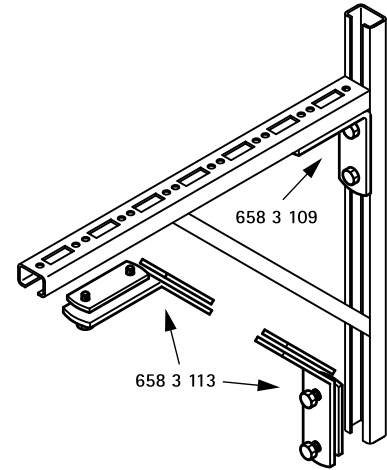
658 3 113

## Features and benefits

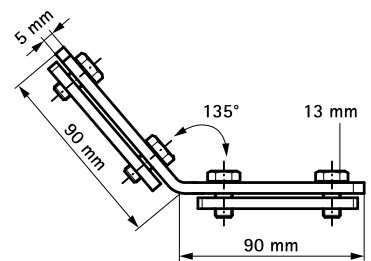
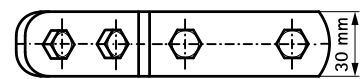
- to make rail fabrications
- suitable for rail WM0, 1, 15, 2, 30, 35
- with pre-assembled double slide nut

- material: steel
- zinc plated

Part No.	a (°)	T <sub>(max.)</sub> (Nm)	For Rail	Pack 1
6583109	90°	15.0	WM0 - 35	25
6583113	135°	15.0	WM0 - 35	25



658 3 109



658 3 113

Complementary  
RapidRail® Fixing Rail

Alternative  
BIS RapidRail® Connector 90°