

BIS Rail Connector

to make BIS RapidRail® fabrications

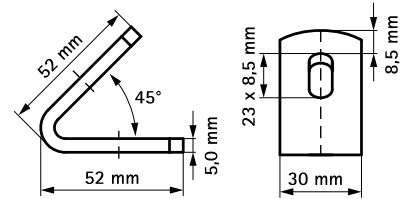
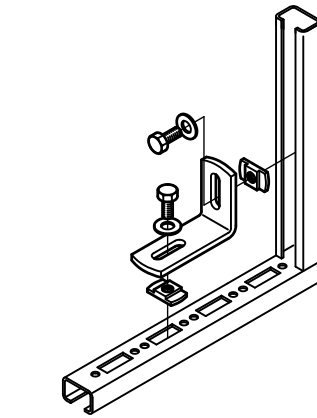
(G 35 25)



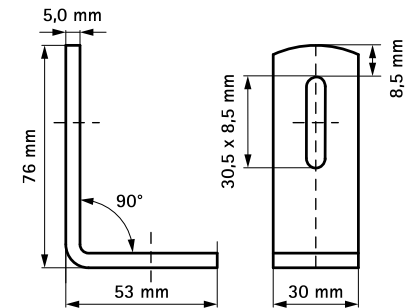
Features and benefits

- to make rail fabrications
 - suitable for WMO, 1, 15, 2, 30, 35
 - material: steel
- zinc plated

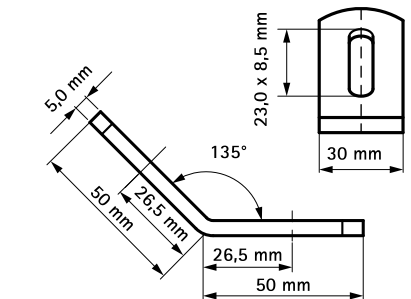
Part No.	a (°)	T _(max.) (Nm)	For Rail	Pack 1
658 5 090	90°	15.0	WMO - 35	50
658 5 135	135°	15.0	WMO - 35	50



658 5 045



658 5 090



658 5 135

Complementary
BIS RapidRail® Fixing Rail

Alternative
BIS RapidRail® Connector 90°