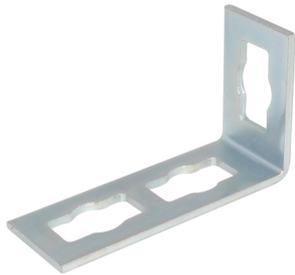


# BIS PushStrut Connector Flat

(H 29 10)

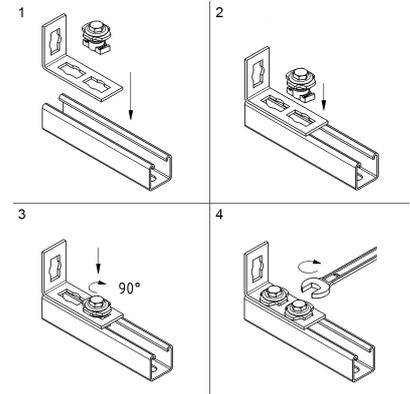
for easy installation of complex rail constructions



659 4 001

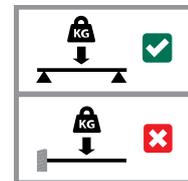


659 4 005

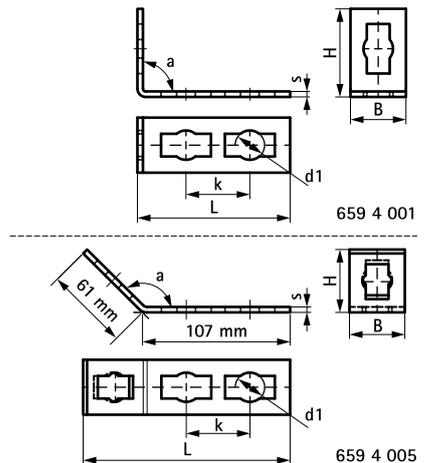


## Features and benefits

- easily combined with all common Strut profiles
- quick and easy to install
- closure button allows a force fit connection
- timesaving and flexible
- easy to remove and reusable
- 3D constructions due to 3D Connectors
- material: steel
- zinc plated



Part No.	L	B	H	s	d1	k	a	Pack 1
		(mm)	(mm)	(mm)	(mm)	(mm)	(°)	
6594001	110 mm	40	64	4.0	21	46	90°	25
6594005	150 mm	40	46	4.0	21	46	135°	25



## Complementary

Walraven RapidStrut® Fixing Rail (pg)  
BIS PushStrut Button