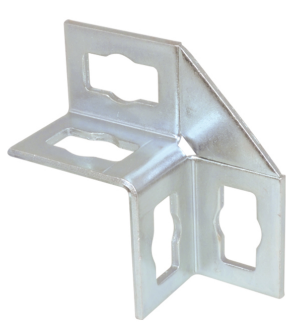


# BIS PushStrut Connector 90°

(H 29 20)

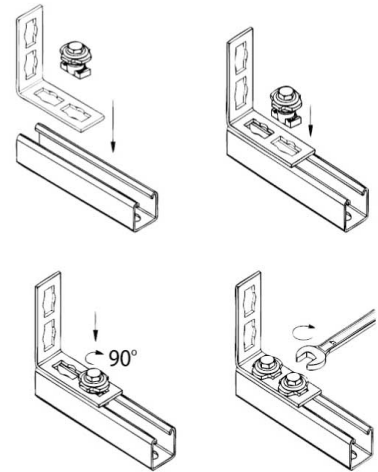
for easy installation of complex rail constructions



659 4 010



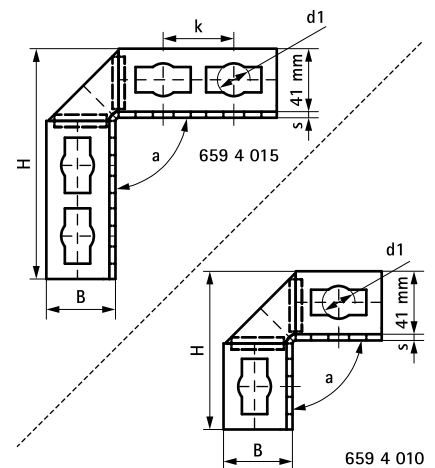
659 4 015



## Features and benefits

- easily combined with all common Strut profiles
- lateral edges offers great stability
- flexible use of hole pattern (flexible twist of hole pattern possible)
- timesaving and flexible
- easy to remove and reusable
- 3D constructions due to 3D Connectors
- material: steel
- zinc plated

Part No.	Model	B (mm)	H (mm)	s1 (mm)	d1 (mm)	k (mm)	a (°)	Pack 1
659 4 010	2-2	45	103	4.0	21	-	90	10
659 4 015	4-4	45	150	4.0	21	46	90	10



## Complementary

BIS RapidStrut® Fixing Rail (pg)  
BIS PushStrut Button