

# BIS Push-fit Saddle - Double (White)

(C 10 27)

for all pipes 8 - 28 mm

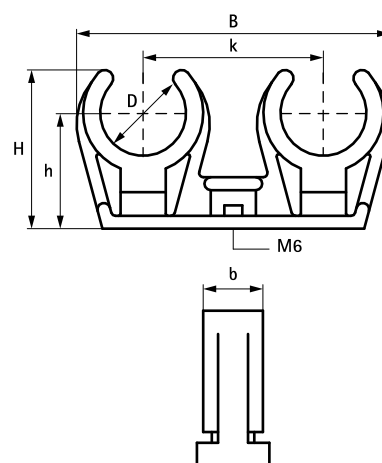
M6



## Features and benefits

- one-part saddle
- for fixing of two pipes
- connection thread M6 made of brass
- material: PP (polypropylene), white (according to RAL 9016)
- fire class B2
- no corrosion, recyclable, resistant to UV and ageing
- temperature resistance from approx. -30 °C to approx. +90 °C (constant); short to approx. +110 °C

| Part No. | D<br>(mm) | D<br>(°) | DN | G  | B<br>(mm) | H<br>(mm) | h<br>(mm) | b<br>(mm) | k<br>(mm) | Pack 1 | Pack 2 |
|----------|-----------|----------|----|----|-----------|-----------|-----------|-----------|-----------|--------|--------|
| 0853208  | 8         | -        | -  | M6 | 40        | 18        | 14        | 12        | 26        | 100    | 1,000  |
| 0853210  | 10        | 1/8      | 6  | M6 | 45        | 20        | 17        | 12        | 28        | 100    | 1,200  |
| 0853212  | 12        | -        | -  | M6 | 53        | 22        | 18        | 12        | 33        | 100    | 1,000  |
| 0853215  | 14 - 15   | -        | -  | M6 | 60        | 26        | 19        | 12        | 36        | 100    | 1,000  |
| 0853218  | 16 - 18   | 3/8      | 10 | M6 | 65        | 30        | 24        | 14        | 38        | 100    | 800    |
| 0853222  | 20 - 22   | 1/2      | 15 | M6 | 73        | 32        | 28        | 14        | 42        | 50     | 500    |
| 0853228  | 28        | 3/4      | 20 | M6 | 89        | 47        | 34        | 14        | 50        | 50     | 400    |



## Alternative

- starQuick® Clamp (White)
- starQuick® Duo Wall Plate