

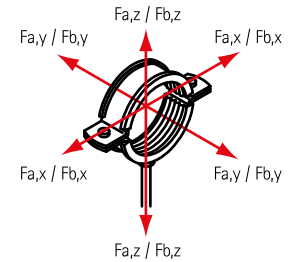
BIS Fixpoint Console 'Heavy' (BUP1000)

(E 05 54)



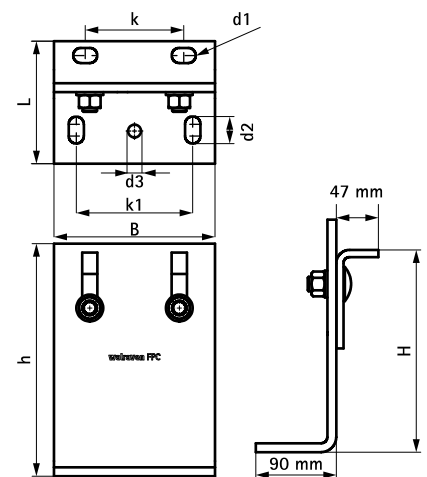
Features and benefits

- suitable for BISOFIX® Cold FixPoint Clamps (see E 05 03)
- flexible use console module for high forces (depending on the situation, detailed design by technical service)
- can be used as a pipe connection point in conjunction with 2 heavy duty clamps type HD500 from 229 mm up to max. 564 mm
- tightening torque 120 Nm for the console fixing screws
- connection to the building is recommended with metal anchors M16
- infinitely adjustable height and inclination, high corrosion protection
- material: steel 1.0332
- surface protection:
 - product is part of the Walraven BIS UltraProtect® 1000 system
 - suitable for in- and outdoor applications
 - stands min. 1,000 hours salt spray test (max. 5% red rust) according to ISO 9227



Part No.	L	B	H	h	d1	d2	d3	k	k1	F _{a,z}	F _{a,y}	F _{a,x}	Pack 1
		(mm)	(mm)	(mm)	(mm)	(mm)	(mm)	(mm)	(mm)	(N)	(N)	(N)	
6698208	137 mm	180	226 - 333	260	27 x 17	30 x 17	∅ 17.0	110	130	10,000	9,300	3,700	1 *

* Depending on the situation, please contact Walraven Technical Support for advice on safe loads. Note! Console, Clamps and Anchors are to be ordered separately.



Complementary

- BISOFIX® CF Cold FixPoint Clamp
- Walraven Heavy Duty Clamp HD500
- Walraven Heavy Duty Clamp HD500 (BUP1000)

Complementary

- Walraven Heavy Duty Clamp HD500 (BUP1000)
- WTB1 Throughbolt Anchor
- WD11 Drop-in Anchor