

BIS Expansion Device

(E 10 22)

fixing with sliding assemblies



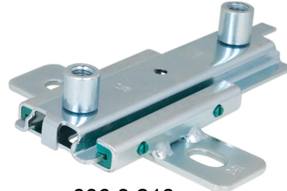
666 3 410



666 3 412



666 3 416



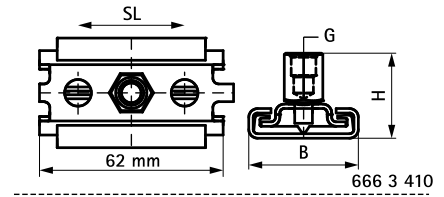
666 3 210

Features and benefits

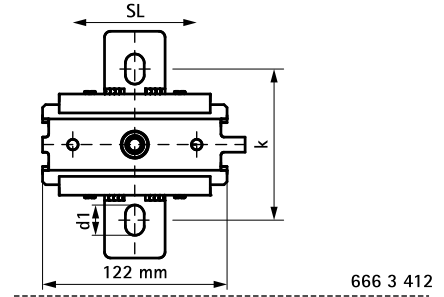
- single and double brackets for pipe extensions
- friction coefficient $\mu = 0.18$; Sliding friction coefficient $\mu = 0.14$
- zinc plated
- fix directly on the building structure or in combination with rail systems
- suitable for ceiling mounting (suspended) and floor mounting (standing mounted)
- a variety of connection possibilities, can be combined with all pipe clamps
- material: metal parts made of steel; plastic parts made of POM (polyoxymethylene) / PPS (polyamphenylensulfid)
- temperature resistance up to +120 °C
- Part No. 6663416: temperature resistance up to +240 °C

Part No.	Model	G	B	H	d1	k	SL (max.)	F _{a,z}	F _{a,z 2}	Pack 1
			(mm)	(mm)	(mm)	(mm)	(mm)	(N)	(N)	
6663410	Single	M8/10	37	29	8.4	-	42	700	700	50
6663412	Single	M10/12	150	46	20 x 12.5	100	80	2,300	2,300	10
6663416	Single	M12/16	188	57	20 x 12.5	157	120	9,000	5,000	10
6663210	Double	M10/12	150	46	20 x 12.5	100	140	2,300	2,300	10

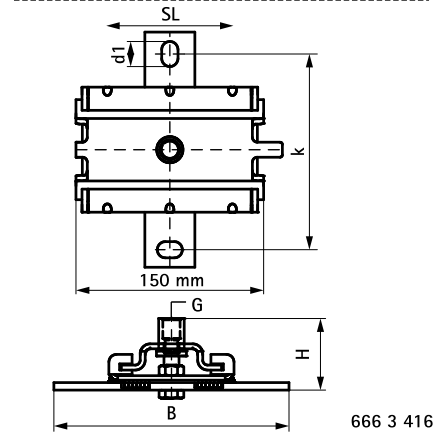
F_{a,z} = standing mounted; F_{a,z 2} = suspended.



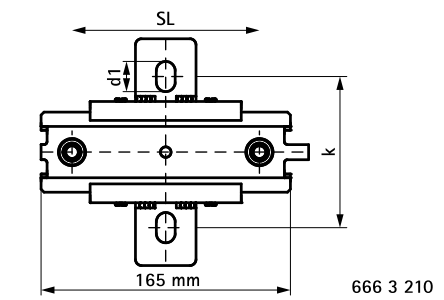
666 3 410



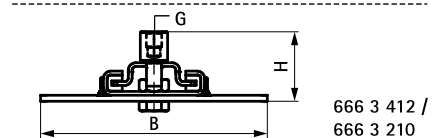
666 3 412



666 3 416



666 3 210



666 3 412 / 666 3 210

Complementary

- BIS Stud Bolt
- BIS Threaded Rod
- WDI1 Drop-in Anchor

Complementary

- WTB1 Throughbolt Anchor

Alternative

- BIS Expansion Device (BUP1000)
- BIS Expansion Guide Assembly (BUP1000)