

# BIS Double Slide Nut

fixing to BIS RapidRail®

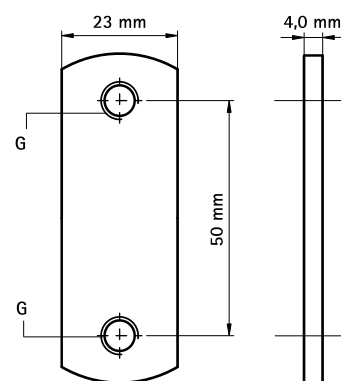
(G 30 30)



## Features and benefits

- suitable for rail WM0, 1, 15, 2, 30, 35
- zinc plated
- material: steel

Part No.	G	T <sub>(max.)</sub> (Nm)	For Rail	Pack 1	Pack 2
6513208	M8	15.0	WM0 - 35	50	250



## Complementary

RapidRail® Fixing Rail  
 BIS RapidRail® Cantilever Arm (BUP1000)