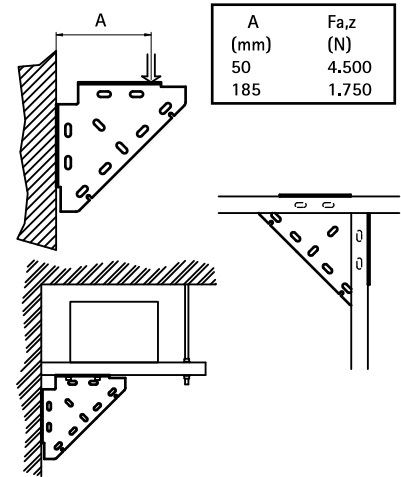


# BIS Corner Bracket

to make BIS RapidRail® fabrications

(G 20 25)



## Features and benefits

- one-part support
- for fixing support under, top or on side of a cantilever arm
- also used to strengthen rail constructions
- suitable for rail WMO, 1, 15, 2, 30
- material: steel
- zinc plated

Part No.	For Rail	Pack 1
6603010	WMO - 30	10
<i>Corner Bracket for WM35 Rail? See Part No. 6603020 (page H 16 40).</i>		

